



V_{Cs}	A
----------	---

01

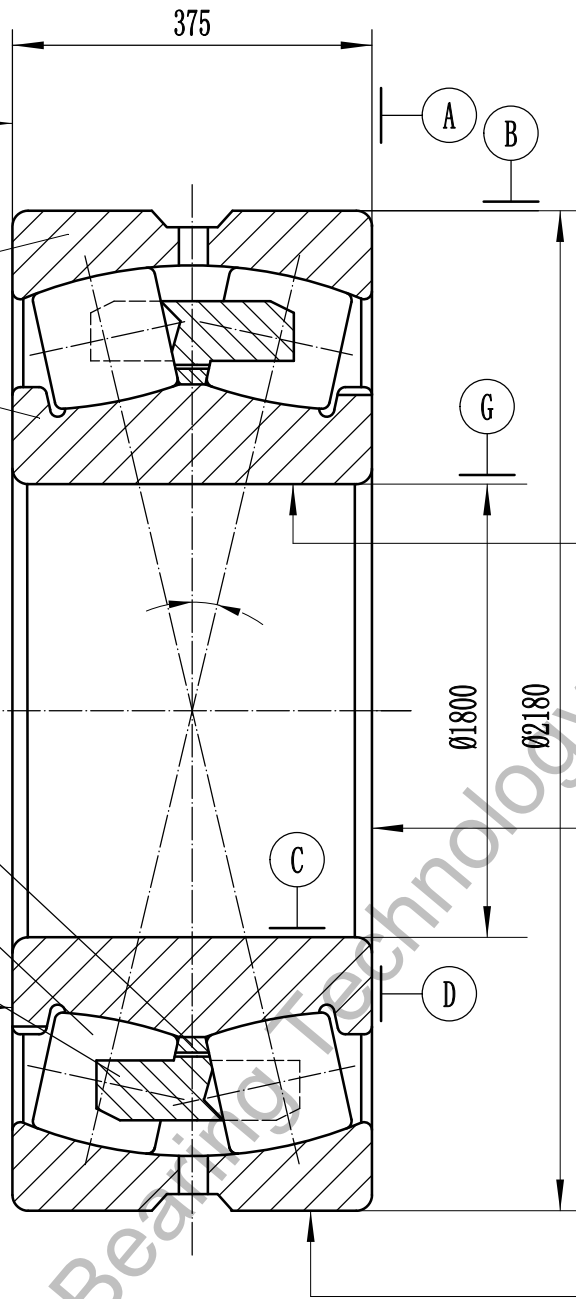
02

62

04

07

V_{Bs}	D
----------	---



V_{dsp}	
V_{dmp}	
K_{ia}	B

S_d	G
-------	---

V_{Dsp}	
V_{Dmp}	
K_{ea}	C
S_D	A

- 1、Tolerance of running accuracy are according to relevant state standard;
- 2、The value of the basic group of radial clearance:min **** max ****;
- 3、Rated load: $C_r=****$ kN $C_{or}=****$ kN.

62	Guide ring		Steel 20—GB/T699			
07	Cage		Steel St 52-EN 10025:1990 + A:1993			
04	Roller		Steel 100CrMnSi6-4—ISO 683-17:1999			
02	Inner ring		Steel 100CrMnSi6-4—ISO 683-17:1999			
01	Outer ring		Steel 100CrMnSi6-4—ISO 683-17:1999			
No.	Designation	Qty	Material	unit	toatl	Remark
				Weight (kg)		

Luoyang JCB Bearing Technology Co., Ltd
 Contact information
 Company Address : No. 285, Fenghua road,
 Luoyang, Henan, China.
 Postal code : 471000
 Phone :86-379-68611678
 Fax : 86-379-68611679
 E-mail: sales@jcb-bearing.com
 Reserved E-mail: sales@sphericalrollerbearing.net
 Website: www.jcb-bearing.com
 www.sphericalrollerbearing.net

Spherical Roller Bearing

248/1800 CAFA/W20

Weight(kg) Scale

Total page 5 Page No. 1

Luoyang JCB Bearing Technology Co., Ltd